

MDS

Mobile Depositor Small

Moveable frame

The MDS is a moveable C-frame that can hold up to 4 depositor heads with its mass supply piping, pumps, buffer tank and control cabinet. The frame can be docked onto an existing conveyor system. The entire frame is IP67, sanitary design with minimal cabling outside the frame. It is built for extreme harsh environments regarding handling and cleaning. The frame is versatile and can work with all different sorts of heads or applications.

Flexible depositing

The heads are positioned over the flow of passing products, so the liquid foodstuff can get deposited in any position and shape. Each individual head can deposit on a defined lane or on a certain section of conveyor system's width. Detection can be done with either photosensors or with an integrated vision camera.

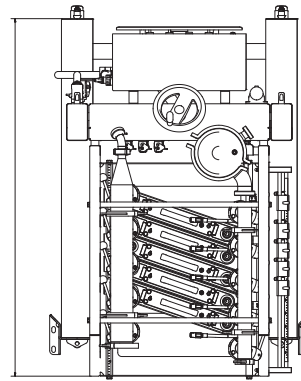
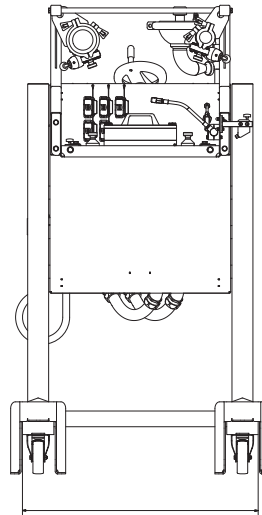
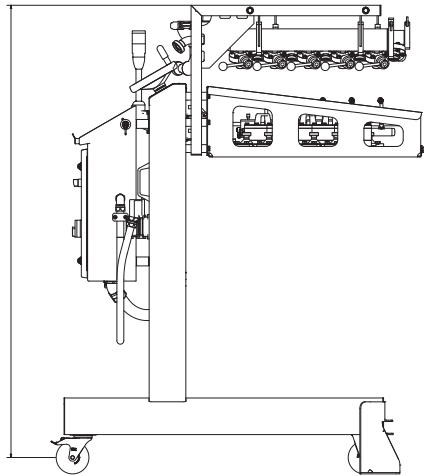
Liquid supply systems

Depending on the application, various feed systems can be combined with this C-frame. From the most basic version of a pressure drum to full volumetric servo pumps, this frame can facilitate it all.



MDS

Mobile Depositor Small



Technical specifications:

- Available up to 600 mm depositing width.
- Available for FJ22, FJ26, FJ28 and FJ29 heads.
- Available with illuminated vision camera hood on entry side.
- Operator functionality: recipe control, on the fly weight and position adjustments.
- Wide range of controllers possible.
- Electrical connection 3x400VAC + PE, 5kW.
- UL & CE certified.

WWW.FOODJET.COM



Ambachtsweg 49 | 6541 DA Nijmegen
The Netherlands | T +31 24 3790061
info@foodjet.com | www.foodjet.com

FOODJET
PRECISION DEPOSITING SOLUTIONS